



## Applications

Pre flight calibration

Tarmac level measurement

Floating pontoons

Automotive alignment

Road bed analysis

# WTS Series

## All-weather radio telemetry inclinometer system

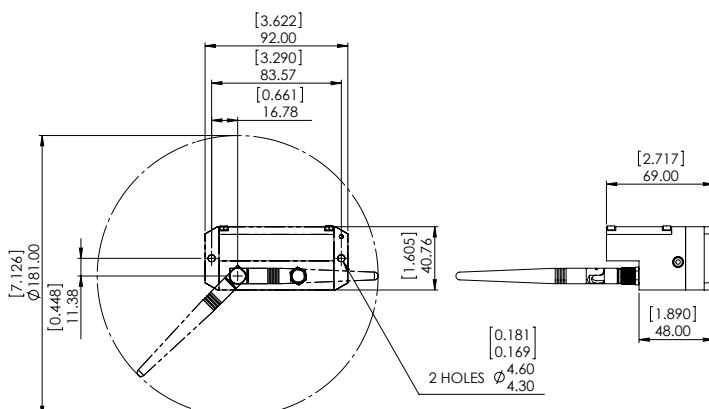
### Features

- Advanced MEMS inclinometer design for ultra-reliability and performance
- Distortion free digital 2 way radio system for data integrity
- Worldwide licence exempt 2.4 GHz radio
- Remote power on/off (sleep/wake)
- 100 metre (328 feet) range
- Rechargeable or alkaline battery options
- Stainless Steel sealed construction for all-weather use

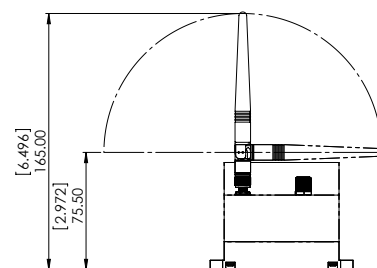
### Benefits

- Wireless
- Very low power consumption for long battery life

PLAN VIEW



SIDE VIEW





## Specifications

### Specifications by Range @ 20°C

		±5°	±15°	±30°	±60°
Deviation from True Angle	Degrees	0.08	0.02	0.02	0.05
Resolution	Degrees	0.003	0.003	0.004	0.006
-3dB Frequency	Hz	5			
Internal Resolution	Bits	24			
Zero Offset	Degrees (max)	±0.02			
Thermal Zero Shift	%FSO/°C	±0.007			
Thermal Sensitivity Shift	%Reading/°C	±0.007			
Data Format	Degrees				
Warm Up Time	Seconds (to 99.9% of final value)	< 5			

### General Radio

Licence	Licence Exempt	
Modulation method	MS (QPSK)	
Radio type	Transceiver (2 way)	
Data rate	kbits/sec	250
Radio Frequency	GHz	2.4000 (min) to 2.4835 (max)
Power	mw	1
Range (see note 1)	Metres (feet) (max)	100 (328)
Channels (DSSS)	16	

### Battery Life in Low Power Mode Generating Results at 3Hz

#### Usage

#### Typical Battery Life

2 x AA Alkaline cells	Constantly on	25 Hours
2 x AA Alkaline cells	3 sessions per day of 5 minutes	100 Days
Rechargeable Li-Ion Pack	Constantly on	45 Hours
Rechargeable Li-Ion Pack	3 sessions per day of 5 minutes	180 Days

### Environmental Characteristics

Operating Temperature Range	°C	-20 to 60
Storage Temperature Range	°C	-20 to 85
Humidity	%RH (min)	95
Shock Survival	1000g, 0.5msec, ½ sine	
Vibration Endurance	20g rms, 20Hz to 2000Hz sinusoidal	
Environmental Sealing	IP67 / NEMA 6	

## Notes

1. Typical range achieved in open field site with WTS at a height of 1 metre (3 feet) above ground and handheld display held at chest height pointing towards the WTS.

## Model Designation & Ordering Code

